

P601 Series Local Display Smart Pressure Transmitter



Feature

- High reliability smart pressure transmitter with local display for industrial application
- from 0~0.01 to 500 MPa
- Advanced piezoresistive or SOS silicon sensitive pressure sensor
- Long term stability
- Customized LCD display with backlight
- Ex d II C T6 / KGS
- HART Communication(Option)
- 의장등록 제30-0366814호

Applications

The P601 series pressure transmitter is ideal for measurements which require a local display and a need to communicate with remote data acquisition equipment in industrial applications.

- Hydraulic and pneumatic system
- Regulation system of transmission line LPG and LNG
- Machine tools and automatic machinery
- Oil and off-shore industry
- Equipments for chemical petrochemical industry
- Automation system and plant engineering

Input

Technology	Advanced piezoresistive or SOS silicon pressure sensor
Pressure range	0 ~ 0,01 to 500 MPa Gauge, Vacuum or Compound pressure 0 ~ 0,1 to 3,5 MPa Absolute pressure
Pressure reference	Gauge, including vacuum and compound and absolute
Overload pressure	1,5 times of F.S. (Max. 500 MPa)

Output

	Current output	Voltage output	
Electrical connection type	2-wire technique	3 or 4 Wire technique	
Full scale output signal	20 mA	5 V	± 0,05 %
Zero measured output	4 mA	1 V	± 0,03 %
Local display	Customized LCD with backlight		

Electrical Specifications

Power supply	12~36 V DC (It is not free voltage)
Load resistance max@24 V	500 Ω at 24 V
Power ripple	≤500 mV P-P
Insulation resistor	≥20 MΩ, 25 V DC

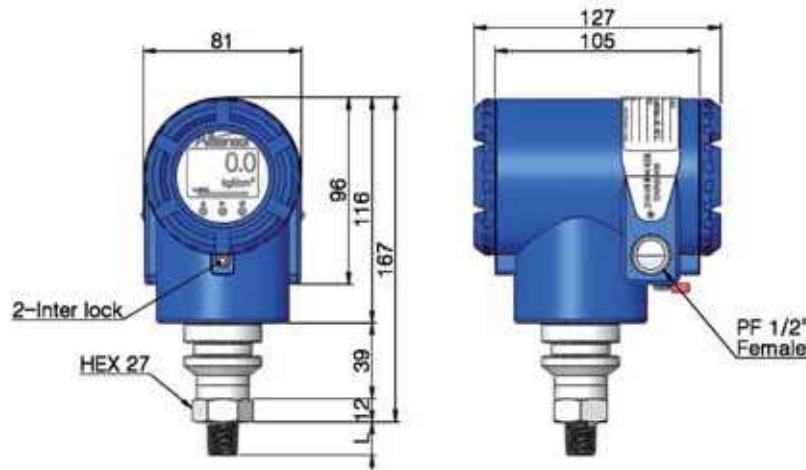
Performance Specifications

Accuracy	≤ ± 0,25 % F.S. (∅ 100 Mpa ± 0,5 % F.S.)
Non-linearity	± 0,05 % F.S. typical
Repeatability	± 0,02 % F.S. typical
Pressure hysteresis	± 0,02 % F.S. typical
Long term stability	± 0,05 % F.S. over 1 year
Response time(10 % to 90 %)	≤ 20 ms
Reference temperature	25 °C
Working temperature range(Process)	-40 ~ 120 °C
Compensated temperature range(Process)	-10 ~ 80 °C
Ambient temperature range	-20 ~ 60 °C
Thermal sensitivity shift	≤ ± 0,05 % F.S. in reference to 35 °C typical
Thermal zero shift	≤ ± 0,05 % F.S. in reference to 35 °C typical

Physical Specifications

Process connection	Rc(PT) 3/8" (M) standard (>100 Mpa M20 x 1,5p) Other connections available on request
Process media	Gases and liquids compatible with STS 316L
Materials	Wetted parts : STS 316L Housing & rear cover : Aluminum Die-casting(Al-remainder, Si-10,682 Fe-0,722, Cu-2,102, Mn-0,177, Mg-0,246, Sn-0,028, Ni-0,035, Zn-0,978, Ti-0,017, Zr-0,001, Pb-0,005) Front cover : Aluminum Die-casting & Tempered glass adhesion assembly(Cemented joint, Loctite243)
Enclosure rating	IP67
Explosion protection	Exd II C T6 (방호장치 의무안전인증 / 고용노동부고시 제2013-54호)
Vibration	0,1 g(1/M/s/s) Maximum
Weight	Approx,(1,5 kg)

Dimension(mm)



Ordering Information

P	6	0	1	G	H	0	0	1	0	M	P	E	T		
Model Name P601 : Local Display Smart Pressure Transmitter						Pressure Range Refer to pressure range code				Pressure Unit M : MPa H : mmH2O B : bar G : mmHg P : psi T : torr K : kgf/cm ²		Process Connection A : PT3/8" G : M20 x 1.5P B : PF3/8" L : NPT 1/4" C : PT1/4" M : NPT 3/8" D : PF1/4" N : NPT 1/2" E : PT1/2" V : VCR1/4" F : PF1/2" W : VCR1/2" O : Others			
Pressure Type A : Absolute G : Gauge						Out Put H : 2Wire 4-20 mA				Pressure Sensor P : Piezo-Resistive H : SOS T : Tantalum Diaphragm			Electrical Cable Entry T : G(PF) 1/2" Female		