

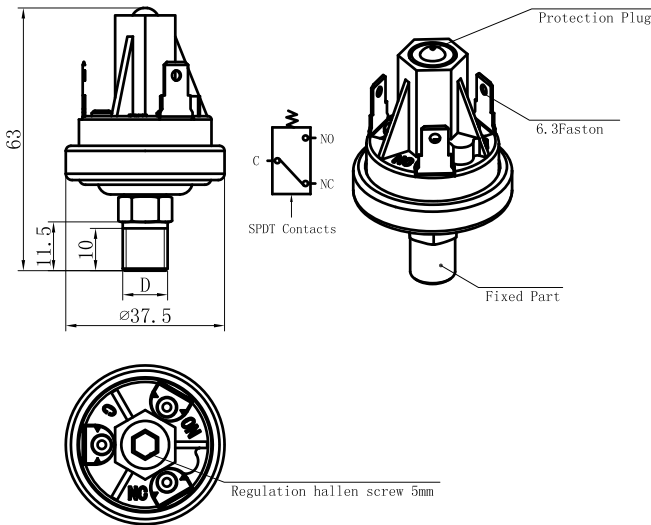
## LEFOO



A030034



E228961



Dimension in:mm

## LF20

### Extended duty pressure switch



The LF20 pressure switch is specifically designed to stand up to extended duty applications. This switch is factory set but capable of field adjustment. It features different diaphragms for compatibility with a wide variety of fluids, and various terminations including a Metri-Pack connector that forms a tight seal when connected. It can be widely used for pool and spa, anti-skid braking systems, water pump systems, and dental air compressors, heavy construction, off road equipments and other pressure control systems.

### LF20 Order Ref NO

LF20 -4 1 1 1 1 1 -10psi

**A B C D E F** Pressure setting: 10psi

Number	Pressure Set Point Range	Circuitry	Base Material	Connection	Terminals	Cover
0	/	/	/	/	/	none
1	0.5-1psi±0.3psi	B SPST-NC	C brass	D 1/8NPT	E 1/4 blade	F cover A
2	1.1-3psi±0.5psi	SPST-NO	plated steel	1/4NPT	#8-32 screws	cover B
3	3.1-7psi±1psi	SPDT-NO-C-NC	stainless steel	R1/8	wire leads	/
4	A 8-13psi±2psi	SPST-NO(adjustable)	/	R1/4	/	/
5	14-4psi±3psi	SPDT-NO-C-NC(adjustable)	/	G1/8	/	/
6	25-50psi±5psi	/	/	G1/4	/	/
7	51-90psi±7psi	/	/	/	/	/
8	91-150psi±10psi	/	/	/	/	/

### Specification

Model	LF20
Media	Air,water,motor oils,transmission oils,jet fuels and other similar Hydrocarbon Media
Pressure Set Point	Factory set from 0.5 to 150psi
Max Operating Pressure	150psi for 0.5-24psi set point range, 250psi for 25-150psi set point range
Proof Pressure	500psi
Burst Pressure	750psi for 0.5-24psi set point range, 1250psi for 25-150psi set point range
Operating Temperature Range	-40℃ to +120℃
Switch Type	Direct action,blade contact
Electric Rating	Resistive : 15AMP-6VDC, 8AMP-12VDC, 4AMP-24VDC Inductive : 1AMP-120VAC, 0.5AMP-240VAC
Contact Arrangement	SPST-N.O,N.C 1circuit adjustable dual circuit,or 2circuits adjustable dual circuit.Also available are N.O/N.O.dual circuit and N.C/N.C.dual circuit
Terminal	#8-32 screws,1/4" blade
Connection	1/8-27NPT Male
Material	Contact:silver alloy,gold plated;Base:brass;Cover:glass reinforced polyester;Diaphragm:polyimide film
Options	Plated Steel,plastic or stainless steel base;various base connector threadsize; wire leads(potted & sealed);Teflon or EPDM diaphragm

Conversion:1kgf/cm<sup>2</sup>=14.2psi 1bar=14.5psi

